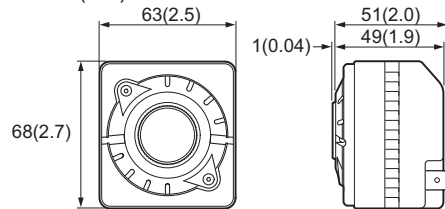


## SPECIFICATIONS

Scanning system	: <b>VCC-5995P:</b> PAL standard 625 lines, 50 fields/sec. <b>VCC-5884EA:</b> NTSC standard 525 lines, 60 fields/sec.
Image sensor	: 1/3" interline transfer method CCD
Number of effective pixels	: 752 (H) x 582 (V)
Horizontal resolution	: 540 TV lines, typical
Minimum illumination	: 0.5 lx (F1.2, AGC ON)
Video output	: 1.0 V(p-p)/75 Ω, composite, BNC
Video S/N ratio	: More than 48 dB (AGC OFF: More than 50 dB)
Light control	: Optical auto iris lens (DC type)/Electronic iris (indoor use)
Lens mount	: CS mount
Flange back	: 12.5 mm ±0.5 mm/0.5 in. ±0.02 in.
Backlight compensation	: ON (Center zone metering)/OFF
Gain control	: AGC ON/OFF
Sync system	: Internal sync/Line lock
Operating Environment	: Temperature: -10°C – +50°C (14°F – 122°F) Humidity: less than 90 % RH (no condensation)
Power supply	: <b>VCC-5995P:</b> 24 V AC ±10%, 50 Hz/ 12 – 15 V DC <b>VCC-5884EA:</b> 24 V AC ±10%, 60 Hz/ 12 – 15 V DC
Power consumption	: Approx. 3.6 W (with auto-iris lens)
Weight	: Approx. 160 g/5.6 oz. (without lens)

### ● Dimensions

Unit: mm (inch)

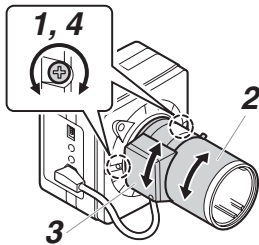


### ● Service

The camera is a precision instrument. Handle it carefully and always follow the safety precautions. If the camera requires service, never try to repair it yourself or open the casing. For servicing, maintenance, or repairs, consult your dealer or an Authorized Sanyo Service Center.

Appearance and specifications are subject to change without prior notice or obligations.

### ■ Flange-back adjustment



- 1) Loosen the two screws.
- 2) Set to the maximum telephoto position and focus the picture.
- 3) Set to the maximum wide-angle position and focus the picture.
  - When the lens barrel is turned, the CS mount ring also turns causing it to act as the flange-back adjustment dial.
- 4) Tighten the two screws.

Repeat steps **2** and **3** until the image stays in-focus when changing from a wide-angle position to a telephoto position.



If the flange-back lock screws are loose, the CS mount ring will not be secured and it will not be possible to adjust the flange-back. Remove the lens and check that the two flange-back lock screws have been tightened, then fully install the lens again.

# SANYO

SANYO Electric Co., Ltd.

Printed in China

## INSTRUCTION MANUAL

### Color CCD Camera

**THIS INSTALLATION SHOULD BE MADE BY A QUALIFIED SERVICE PERSON AND SHOULD CONFORM TO ALL LOCAL CODES.**

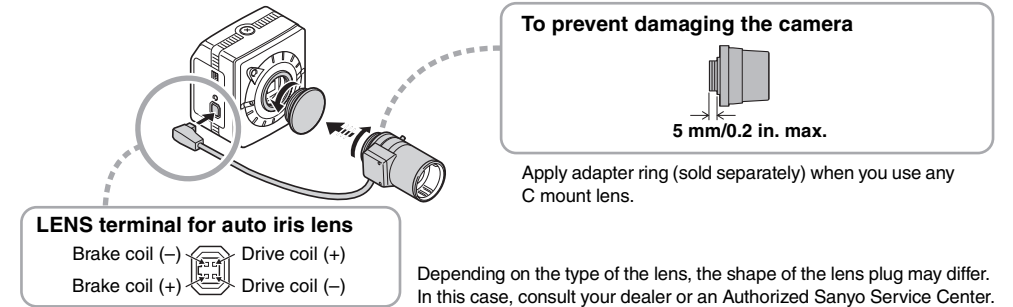
# SANYO

## VCC-5995P VCC-5884EA

### About this manual

- Before installing and using the camera, please read this manual carefully. Be sure to keep it handy for later reference.
- This manual covers two models. Any difference between the two models is indicated when necessary.

## ATTACHING THE LENS



To prevent damaging the camera

5 mm/0.2 in. max.

Apply adapter ring (sold separately) when you use any C mount lens.

### LENS terminal for auto iris lens

Brake coil (-) Drive coil (+)  
Brake coil (+) Drive coil (-)

Depending on the type of the lens, the shape of the lens plug may differ. In this case, consult your dealer or an Authorized Sanyo Service Center.

## PRECAUTIONS

### ■ In case of a problem

Do not use the unit if smoke or a strange odor comes from the unit, or if it seems not to function correctly. Turn off the power immediately and disconnect the power cord, and then consult your dealer or an Authorized Sanyo Service Center.

### ■ Do not open or modify

Do not open the cabinet, as it may be dangerous and cause damage to the unit. For repairs, consult your dealer or an Authorized Sanyo Service Center.

### ■ Do not put objects inside the unit

Make sure that no metal objects or flammable substance get inside the unit. If used with a foreign object inside, it could cause a fire, a short-circuit or damage. Be careful to protect the unit from rain, sea water, etc. If water or liquid gets inside the unit, turn off the power immediately and disconnect the power cord, and then consult your dealer or an Authorized Sanyo Service Center.

### ■ Be careful when handling the unit

To prevent damage, do not drop the unit or subject it to strong shock or vibration.

### ■ Do not install this unit close to magnetic fields

The magnetic fields may result in unstable operation.

### ■ Protect from humidity and dust

To prevent damage, do not install the unit where there is greasy smoke or steam, where the humidity may get too high, or where there is a lot of dust.

### ■ Protect from high temperatures

Do not install close to stoves, or other heat sources, such as spotlights, etc., or where it could be subject to direct sunlight, as this could cause deformation, discoloration or other damage.

Be careful when installing close to the ceiling, in a kitchen or boiler room, as the temperature may rise to high levels.

### ■ Cleaning

- Dirt can be removed from the cabinet by wiping it with a soft cloth. To remove stains, wipe with a soft cloth moistened with a soft detergent solution and wrung dry, then dry by wiping with a soft cloth.
- Do not use benzine, thinner or other chemical products on the cabinet, as this may cause deformation and paint peeling. Before using a chemical cloth, make sure to read all accompanying instructions. Make sure that no plastic or rubber material comes into contact with the cabinet for a long period of time, as this may cause damage or paint peeling.

## For US and Canadian Users

### Safety Guard



**THIS SYMBOL INDICATES THAT THERE ARE IMPORTANT OPERATING AND MAINTENANCE INSTRUCTIONS IN THE LITERATURE ACCOMPANYING THIS UNIT.**

**WARNING:**  
TO REDUCE THE RISK OF FIRE OR ELECTRIC SHOCK, DO NOT EXPOSE THIS APPLIANCE TO RAIN OR MOISTURE.

**For the customers in Canada**  
This Class B digital apparatus complies with Canadian ICES-003.  
**Pour la clientèle canadienne**  
Cet appareil numérique de la Classe B est conforme à la norme NMB-003 du Canada.

This installation should be made by a qualified service person and should conform to all local codes.

This equipment has been tested and found to comply with the limits for a Class B digital device, pursuant to Part 15 of the FCC Rules. These limits are designed to provide reasonable protection against harmful interference in a residential installation. This equipment generates, uses, and can radiate radio frequency energy and, if not installed and used in accordance with the instructions, may cause harmful interference to radio communications.

However, there is no guarantee that interference will not occur in a particular installation. If this equipment does cause harmful interference to radio or television reception, which can be determined by turning the equipment off and on, the user is encouraged to try to correct the interference by one or more of the following measures:

- Reorient or relocate the receiving antenna.
  - Increase the separation between the equipment and receiver.
  - Connect the equipment into an outlet on a circuit different from that to which the receiver is connected.
  - Consult the dealer or an experienced radio/TV technician for help.
- This device complies with Part 15 of the FCC Rules. Operation is subject to the following two conditions: (1) This device may not cause harmful interference, and (2) this device must accept any interference received, including interference that may cause undesired operation. Changes or modifications not expressly approved by Sanyo may void the user's authority to operate this camera.

## For EU Users



### Please note:

Your SANYO product is designed and manufactured with high quality materials and components which can be recycled and reused.

This symbol means that electrical and electronic equipment, at their end-of-life, should be disposed of separately from your household waste.

Please dispose of this equipment at your local community waste collection/recycling centre.

In the European Union there are separate collection systems for used electrical and electronic products. Please help us to conserve the environment we live in!

**This symbol mark and recycle system are applied only to EU countries and not applied to countries in other areas of the world.**

**SANYO FISHER Sales (Europe) GmbH**  
Stahlgruberring 4, D-81829 München, Germany  
**SANYO Electric Co., Ltd.**  
1-1, Sanyo-cho, Daito City, Osaka 574-8534, Japan

## For Russian Users



This product certified by official certification company which is authorized by Russian Federation.

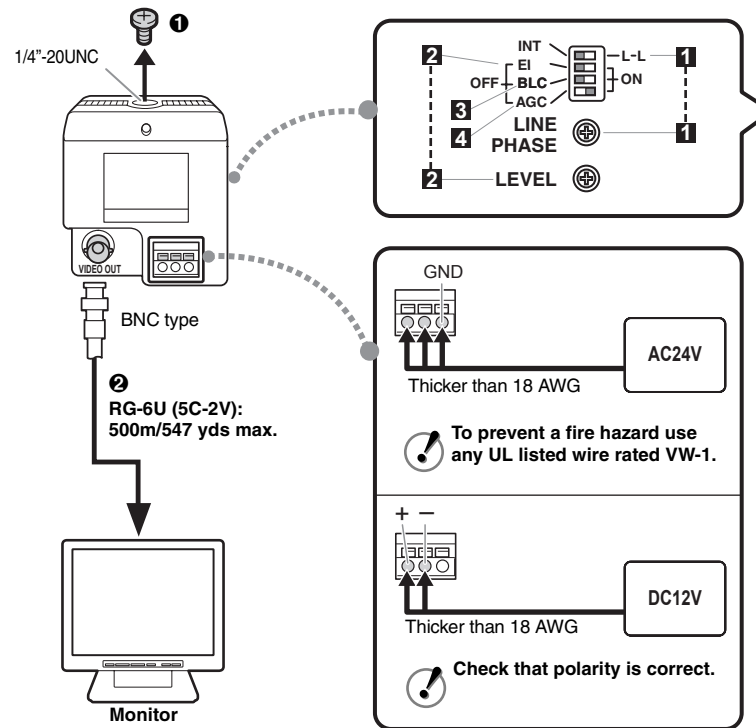
**ДЛЯ ПОЛЬЗОВАТЕЛЕЙ РОССИИ**

Данная продукция сертифицирована официальным органом по сертификации Российской Федерации.

## CAMERA CONNECTIONS / SETTINGS



Do not connect the power cord until all other connections have been completed.



### 1 Threaded holes for mounting (Top and Bottom)

- When using a camera mount base (sold separately) etc., use an attachment screw shorter than 10 mm / 0.4 in. Otherwise, it may damage internal parts of the camera.
- If you want to use a commercially available platform for the camera, select an appropriate type, taking into consideration the gross weight of the camera and platform, and secure it on a firm place.
- Images may blur under extremely bright lighting; adjust the lighting angle to get clear images.

### 2 Supported coaxial cables: RG-6U (5C-2V): 500 m / 546 yds max.

Following coaxial cables are also supported.

RG-11U (7C-2V): 600 m / 656 yds max.

RG-59U (3C-2V): 250 m / 273 yds max.



- RG-59U (3C-2V) can be used when distance between devices is short, but not in duct or aerial routing.
- Using different cables from these specified here may attenuate the video and/or sync signals and interfere with correct transmission.

The camera comes pre-adjusted and ready to install at time of factory shipment.

### 1 Sync setting (LL/INT)

INT: Internal sync

LL: Line-Lock (Only when using an AC power supply/Synchronizes the unit with power frequency)

- If the vertical roll cannot be corrected by adjusting the PHASE dial on the second and subsequent cameras, try adjusting the PHASE dial on the first camera. If it still cannot be corrected, please check that the polarity of the power cords of all connected devices is correct.

### 2 Iris setting (EI ON/OFF)

EI ON: Electronic iris (manual or fixed iris lens) - For indoor use

EI OFF: Auto iris

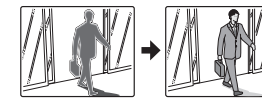
#### NOTE on Electronic iris setting (EI ON):

- Set the lens aperture to the shortest F stop.
- If fluorescent lighting is used where the camera is installed, the object will flicker as a result. This type of phenomenon can be avoided by replacing the fluorescent lighting with incandescent lamps.
- If the light entering the lens exceeds the maximum required illumination, the image cannot be displayed properly. In that case, manually adjust the lens iris.

#### NOTE on Auto iris setting (EI OFF):

- If the entire image is too dark or too bright, adjust the contrast using the LEVEL dial.

### 3 Backlight compensation (BLC ON/OFF)



BLC OFF

BLC ON (Only when using an auto iris lens)

### 4 Automatic Gain Control (AGC ON/OFF)

AGC ON: For automatically adjusting the sensitivity of the camera in dark environments.

AGC OFF: Fixed Gain is adopted for pictures with less video noise under low light conditions.

#### Casino mode for VCC-5884EA:

This produces the best picture with a manual or fixed iris lens especially under halogen lights, such as in a casino.

- White balance is adjusted automatically for best results under halogen light (Color temperature: approx. 3000°K). Do not use under fluorescent light or sunlight (approx. 5000°K). A bluish image may be produced.
- Gamma Curve makes dark parts of the image brighter.

If the picture is out of focus at the telephoto position, adjust the flange-back position.

Refer to "Flange-back adjustment" on back page.