

INSTALLATION MANUAL

Color CCD Camera



VCC-XZ200P

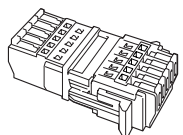
Please read this manual before installing and using this camera, and always follow the instructions in it for proper use.

- Check that the installation location is strong enough to bear the camera before proceeding.
- Install in a location (such as underneath overhangs) that is not exposed to direct sunlight.
- Install to a wall or ceiling with no unevenness in its surface.
If installing to a curved surface, round pillar or similar, use a special bracket (separately ordered).

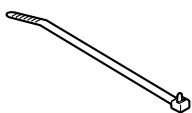
Accessories



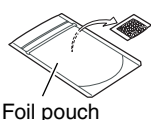
Hexagonal wrench,
Large and Small each 1



One-touch connector
(attached to connection cord) 1

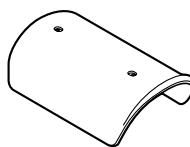


Fixer
(for securing drop-prevention chain) . . . 1

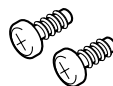


Foil pouch

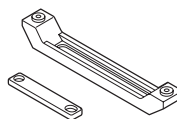
Desiccant 1



Sunshade 1



Sunshade mounting screws
(Self-tapping type) 2



Sunshade mounting bracket 1



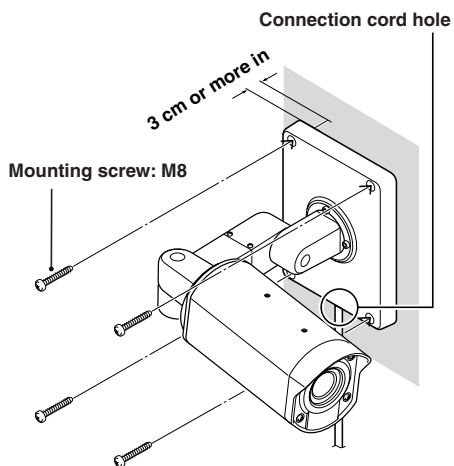
Sunshade mounting bracket screws . . . 2

1 Setup

① Install the camera to the wall or ceiling.

If routing the connection cord outside the wall, install so that the connection cord hole is facing downward, and pull the connection cord out from the hole.

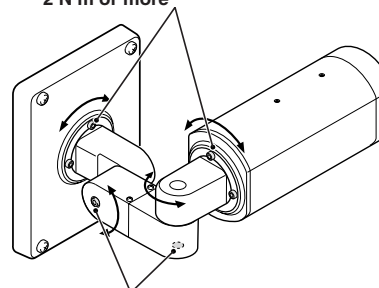
- Be sure to embed the mounting screws at least 3 cm into the wall. If the screw holes are too shallow, the camera mount may fall down.



② Adjust the position of the camera.

Use the hexagonal wrench (large, accessory) to loosen the screws at the place that you want to move, and then adjust the direction of the camera.
After making the adjustment, securely re-tighten the screws.

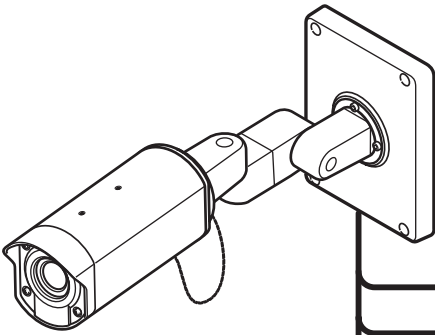
Maximum 90 degrees
(to prevent cord from twisting)
Screw tightening torque after adjustment:
2 N·m or more



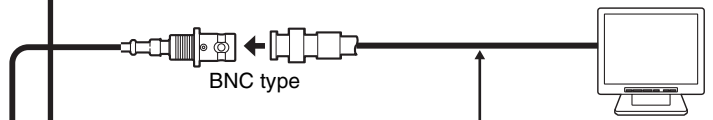
Screw tightening torque after adjustment:
4.3 N·m or more

2 Connections

- Do not connect the power cord until all other connections have been completed.
- If part of the copper section of a wire is exposed after a cord has been connected, trim the end of the wire so that no copper section is exposed in order to prevent short-circuits.



Connection for Monitoring

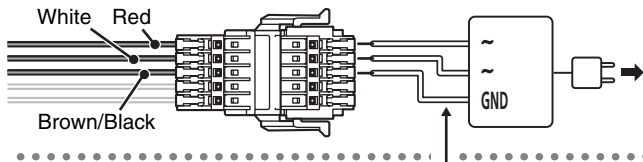


Cable type	Length
RG-59U (3C-2V)	250 m max.
RG-6U (5C-2V)	500 m max.
RG-11U (7C-2V)	600 m max.

- When using an RG-59U (3C-2V) cable, do not let it dangle in the air or attach it to piping.
- If you use a cable other than the types above, the image or sync signal will be attenuated and will not be transmitted correctly.

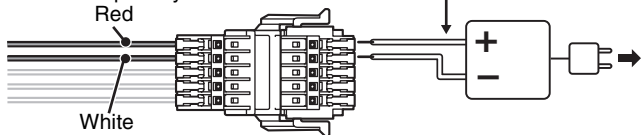
Connection for Power Supply

AC 24 V connection



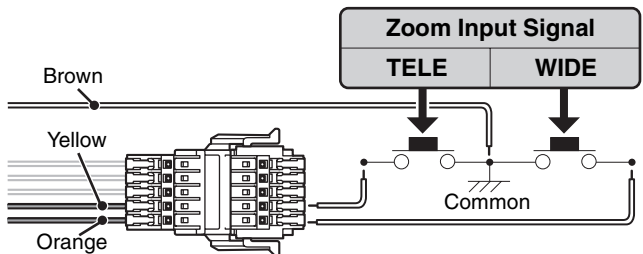
DC 12 V connection

Check that polarity is correct.



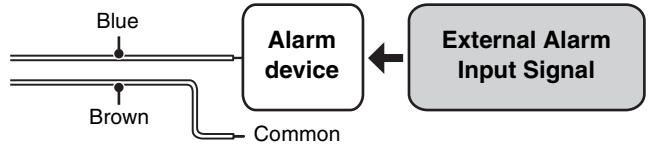
Connection for Zoom Input

It is used to make wide angle/telescoping adjustments.



Connection for Alarm Input

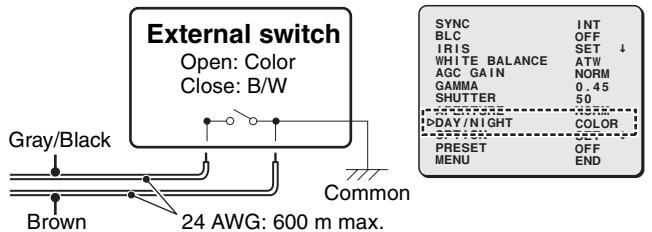
Refer to the instruction manual for the connected alarm device for further details.



Setting Color or Black-and-White

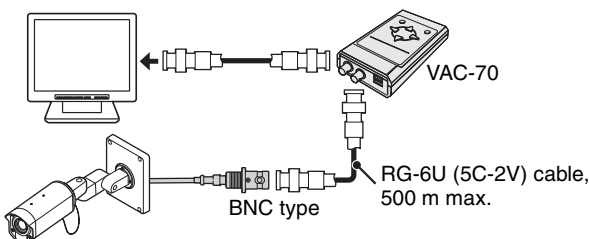
You can fix the image either to color or black-and-white using an external switch, etc.

- Be sure to select "COLOR" for the "DAY/NIGHT" option in the main menu (See page 23 on the INSTRUCTION MANUAL).



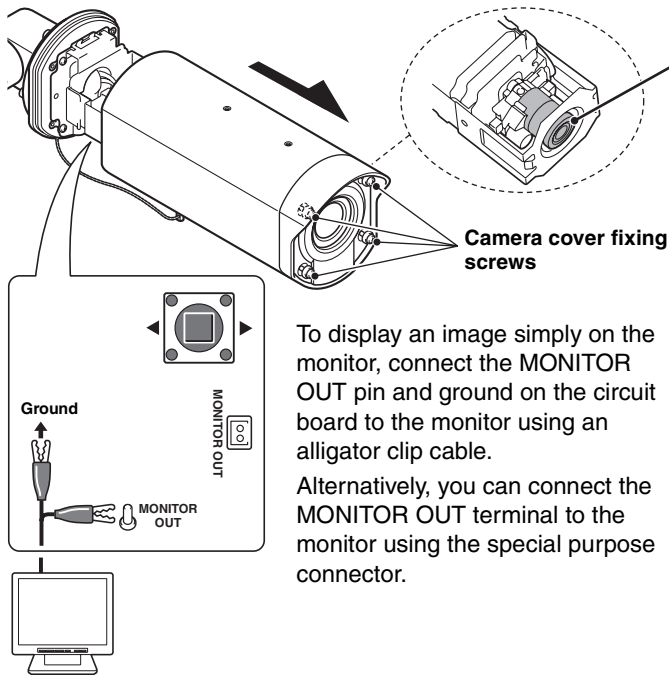
Using a Camera Control Unit

When using menus, connect a camera control unit (VAC-70: Separately ordered) because menu settings can be carried out without removing the camera cover.



Note: Make sure to disconnect the unit after setting or adjustment is completed.

3 Checking the image from the camera



To display an image simply on the monitor, connect the MONITOR OUT pin and ground on the circuit board to the monitor using an alligator clip cable.

Alternatively, you can connect the MONITOR OUT terminal to the monitor using the special purpose connector.

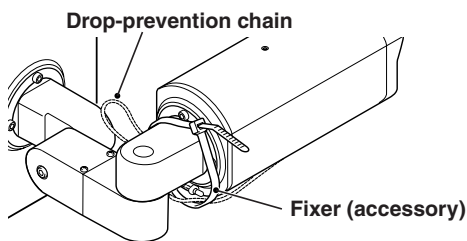
⚠ **Do not touch the lens and lens tube:**
The lens and lens tube are composed of precision parts that must be strictly kept untouched.

- ① **Remove the camera cover.**
Loosen the four camera cover fixing screws.
- ② **Check the image on the monitor.**
 - **Positioning of the camera**
Refer to ① - ②.
 - **Simple zoom adjustment**
While the camera captures an image, you can adjust Zoom using the button (◀: Wide or ▶: Tele) on the circuit board.
- ③ **Carry out the settings and adjustment for the camera using the on-screen menu.**
Refer to the separate-volume instruction manual.
- ④ **Install the camera cover.**
Provisionally tighten the four camera cover fixing screws, and then fully tighten them.

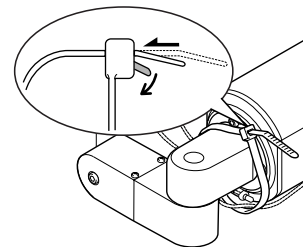
The four camera cover fixing screws must be torqued to 0.5 – 1 N·m (5 – 10 kgf·cm/4.4 – 8.8 in·lbs) to ensure that the waterproof integrity is maintained.

4 Attaching the fixer (accessory)

If you do not want the drop-prevention chain to hang down, move the camera to the required position and then secure the chain with the fixer (accessory) as shown in the illustration below.



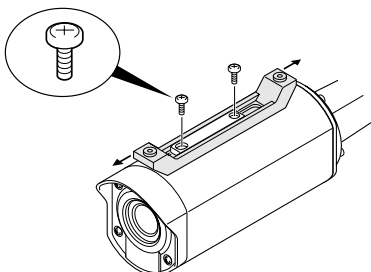
Press the tab on the fixer as shown at right to release it.



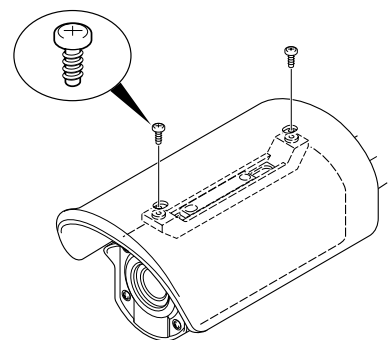
5 Installing the sunshade (accessory)

If direct sunlight may shine onto the camera at times (depending on the angle of the sun), install the sunshade.

- ① **Use the two accessory screws to install the sunshade mounting bracket (accessory).**
Determine the position of the sunshade so that it will protect from direct sunlight as much as possible, and adjust the position of the sunshade mounting bracket back and forth while the screws are still loose (adjustment range: 30 mm). After adjusting the bracket position, securely tighten the screws. (Tightening torque: 0.5 N·m or more)
- ② **Use the two accessory screws (self-tapping type) to install the sunshade (accessory). (Tightening torque: 0.5 N·m or more)**

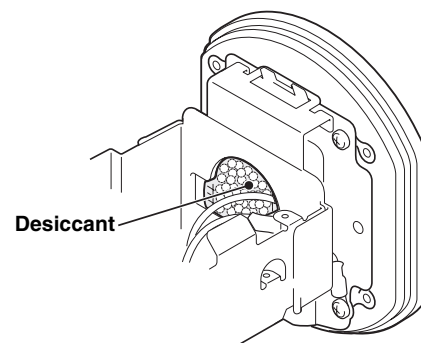


Self-tapping screw for plastic



Replacing the desiccant (accessory)

There is a pouch of desiccant (blue) inside the camera to prevent moisture from building up inside the camera. If the desiccant appears reddish-purple after the camera cover is removed, remove the camera unit and replace it with the new pouch of desiccant (consult your dealer or a Sanyo Authorized Service Center).



■ Removing the camera unit

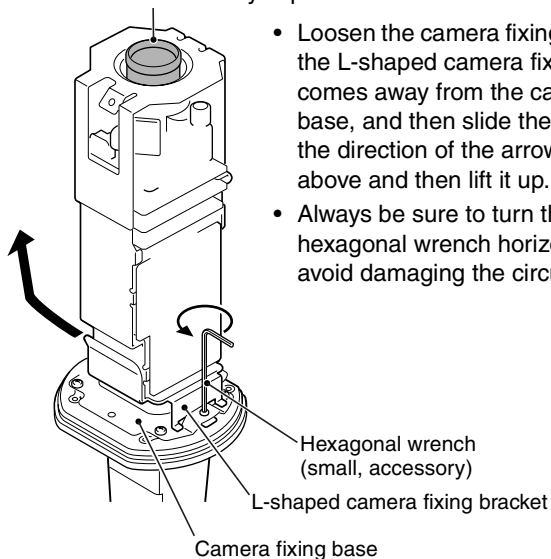
- To avoid damaging the camera and the power supply, always be sure to turn off the power.
- Be careful to avoid letting it get wet from rain or other liquids, otherwise it may become shorted.
- The camera cover will come off if the camera cover fixing screws are loosened by about 5 mm, so be careful not to loosen them too much. If a screw is loosened too much, the drop-prevention washer inside the cover may come off and the screw may fall out.

① Loosen the four camera cover fixing screws, and then remove the camera cover.

② Use the hexagonal wrench (small, accessory) to loosen the camera fixing screw, and then remove the camera unit.

⚠ Do not touch the lens and lens tube:

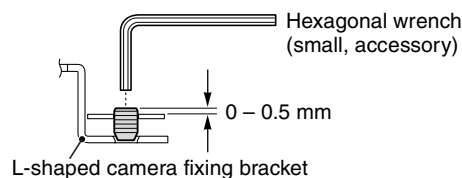
The lens and lens tube are composed of precision parts that must be strictly kept untouched.



- Loosen the camera fixing screw until the L-shaped camera fixing bracket comes away from the camera fixing base, and then slide the camera in the direction of the arrow shown above and then lift it up.
- Always be sure to turn the hexagonal wrench horizontally to avoid damaging the circuit board.

③ Install the camera by using the hexagonal wrench (small, accessory) to tighten the camera fixing screw.

Tighten the screw so that the head protrudes by 0 – 0.5 mm.



④ To install the camera cover, provisionally tighten the four camera cover fixing screws, and then fully tighten them.

The four camera cover fixing screws must be torqued to 0.5 – 1 N·m (5 – 10 kgf·cm/4.4 – 8.8 in·lbs) to ensure that the waterproof integrity is maintained.