

VCC-5995P

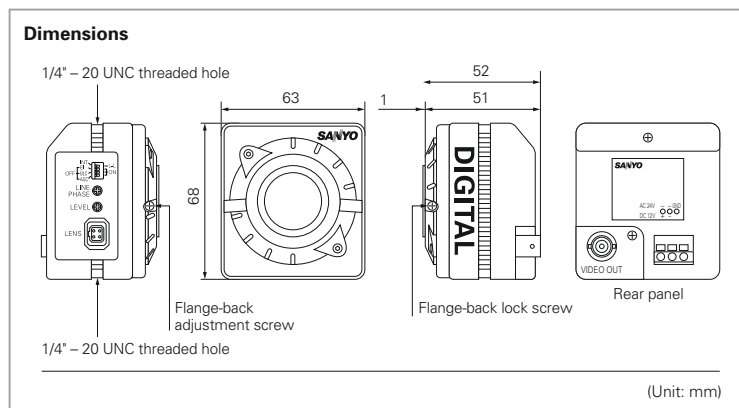


1/3" Color CCD DSP High-Resolution Camera

- Super high horizontal resolution of 540 TV lines (typical)
- High sensitivity – minimum illumination of 0.5 lx at F1.2 (50IRE)
- Automatic gain control (ON/OFF)
- A uniquely compact design
- Electronic iris for indoor use with manual or fixed iris lens
- Internal/Line lock synchronizing system
- 24 V AC and 12 to 15 V DC, dual power operation
- 4 years warranty

VCC-5995P

TECHNICAL DATA		VCC-5995P
Scanning system		PAL Standard 625 lines, 25 frames/sec.
Image sensor		1/3" (approx. 4.8 x 3.6 mm) interline transfer method CCD
Effective picture elements		752 (H) x 582 (V)
Horizontal resolution		540 TV lines (typical)
Minimum illumination 50IRE		0.5 lx (AGC on) at F1.2
(approx.) 20IRE		0.2 lx (AGC on) at F1.2
Video output level		1.0 V (p-p)/75 ohms, composite
Video S/N ratio		More than 50 dB (AGC off)
Backlight compensation		ON / OFF – Slide SW (side) ON = Centre-zone photometry system – Slide SW (side) (activated when auto iris lens used)
White balance		TTL auto tracing white balance
Gain control		AGC on/off
Light control		Optical auto iris lens/Electronic iris (indoor use)
Lens mount		CS mount (top/bottom selectable)
Flange back		12.5 mm ±0.5 mm adjustment
Auto iris lens		DC type
Auto iris output		DC: Drive coil (+, -), Brake (damp) coil (+, -)
Lens iris level		LEVEL: L to H – VR (side)
Electronic iris		ON (EI)/OFF (AI) – Slide SW (side)
Electronic iris range		1/50 to 1/10,000 sec. – Slide SW (side)
Synchronizing system		Internal sync/Line lock – Slide SW (side)
V phase adjustment		LINE PHASE – VR (rear)
Sockets	Video signal	VIDEO OUT – BNC (rear)
	Auto iris lens	LENS – 4-pin (side)
	Power supply	24 V AC, GND – Pushlock terminal x 3 (rear) 12 to 15V DC, GND – Pushlock terminal x 2 (rear)
Operating conditions	Operating	Temperature: -10 °C to 50 °C, Humidity: within 90 % RH
	Storage	Temperature: -20 °C to 70 °C, Humidity: within 70 % RH
Power requirement		24 V AC, 50 Hz/12 to 15 V DC
Power consumption		3.6 W
Camera mount		1/4" – 20 UNC (top/bottom selectable)
Dimensions (W x H x D)		63 x 68 x 51 mm (excluding protrusions)
Weight		160 g (without lens)



Optional Dome Camera Housing (Sold separately)



VA-CDH60
(Smoked type dome cover)

